

Product information presented here reflects conditions at time of publication. Consult factory regarding discrepancies or inconsistencies.



MAIL TO: P.O. BOX 16347 • Louisville, KY 40256-0347
SHIP TO: 3649 Cane Run Road • Louisville, KY 40211-1961
TEL: (502) 778-2731 • 1 (800) 928-PUMP • FAX: (502) 774-3624

Visit our web site:
zoellerpumps.com

REPLACEMENT PARTS LIST FOR MODELS:

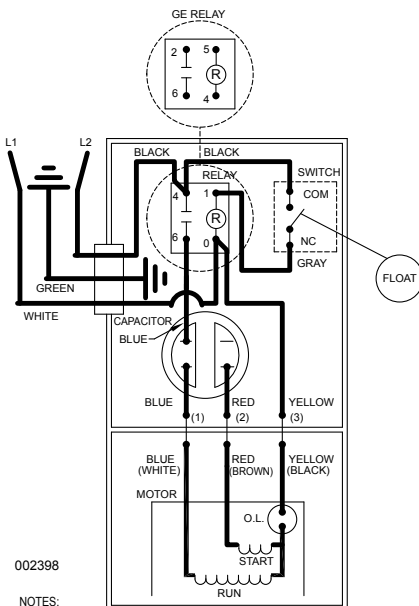
D185 AUTOMATIC 230V
E185 NONAUTOMATIC 230V

Consult factory for all others models

TO ORDER REPLACEMENT PARTS:

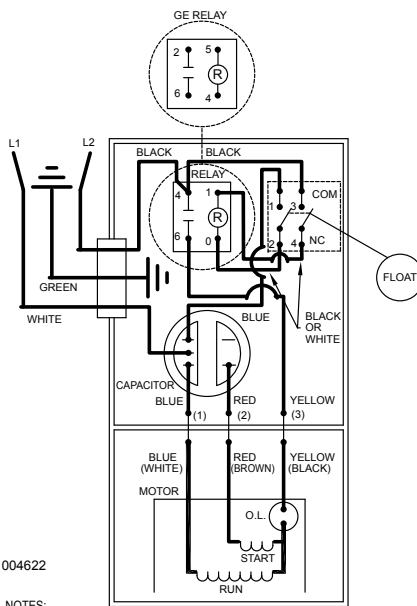
PLEASE FURNISH THE FOLLOWING INFORMATION:

- Model Number.
- Part Number of Pump.
(If manufactured prior to June 1988, give 2 letter date code following Model No.)
- Part Number and Description of part.



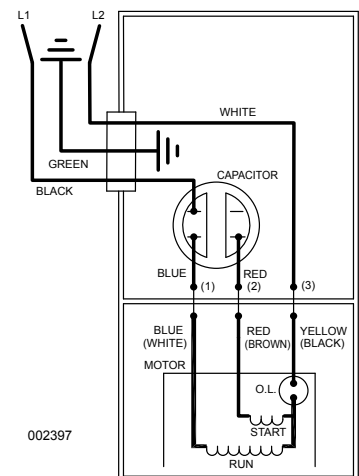
INSULATORS REQUIRED ON GE RELAY TERMINALS 2 & 5;
OMRON RELAY TERMINALS 1 & 4.

WIRING DIAGRAM FOR MODELS
"D185-A"
2/85 (NR) thru 8/86 (US)



INSULATORS REQUIRED ON GE RELAY TERMINALS 2 & 5;
OMRON RELAY TERMINALS 1 & 4.

WIRING DIAGRAM FOR MODELS
"D185-B"
9/86 (VS) thru Current



WIRING DIAGRAM FOR MODELS
"E185", All Revisions
2/85 (NR) thru Current

REPLACEMENT PARTS LIST FOR MODELS "D185"

See back page for "D185" illustration.

REF. NO.	DESCRIPTION	QTY	NOTES	MODELS: D185-A			
				D185-B	D185-C	D185-D	
				2/85 thru 8/86	9/86 thru 7/09	8/09 thru 1/16	2/16 thru Current
1	Case Switch & Cord	1	2,3	002378	004748	004748	004748
2	• Handle	1		217069	217069	217069	217069
3	Cord Term & Seal	1	3	002429	002429	002429	002429
4	Clamp, Strain Relief	1	3	001770	001770	001770	001770
5	• Seal, Cord-Asm & Str Rlf	1	3	094032	094032	094032	094032
6	Case-Mach	1	3	004748	004614	004614	004614
7	• Guard	1		001023	001023	001023	001023
8	• Arm & Seal Asm	1	2	002379	004745	004745	004745
9	• Gasket, Case/Cover	1		001011	001011	001011	001011
10	Switch Asm	1	2	002380	004744	004744	004744
11	• Wire Pkg (5) Wires	1		001070	004749	004749	004749
12	Capacitor & Clamp Asm	1		002381	002381	002381	002381
13	Relay	1		217093	217093	217093	153833
14	Float, Plastic	1		094039	094039	094039	094039
15	Guide Asm, Flt Rod	1		001072	001072	001072	001072
16	Rod Asm, Flt	1		003083	003083	003083	003083
17	Housing, Mtr-& Str	1	1,6	002382	002382	019655	019655
18	Bearing, Upper Sleeve	1		001012	001012	NA	NA
	Bearing, Upper Ball			NA	NA	006703	006703
19	• Plug, Test-White	2		034090	034090	034090	034090
20	• Seal, Thru Wall Term	3		003402	003402	003402	003402
21	Rotor & Brg	1	6	001074	001074	019650	019650
22	• Bearing, Radial	1		001013	001013	010069	010069
23	• Seal, Mtr Hsg	1		001014	001014	001014	001014
24	• Oil, Dielectric	1		002383	002383	002383	002383
25	Adapter-Mach	1		001003	001003	001003	001003
26	• Seal, Shaft	1		002430	002430	002430	002430
27	Flange Pkg 2"Npt	1		10-1305	10-1305	10-1305	10-1305
	Flange Pkg 3"Npt			10-1306	10-1306	10-1306	10-1306
28	Impeller "185"	1		004199	004199	004199	004199
29	Housing, Pump-Mach	1		004188	004188	004188	004188
30	Strainer Plate	1		137008	137008	137008	137008
31	• Screw, .25-20 X .75 HHm-SS	4		001916	001916	001916	001916
32	• Screw, .313-18 X 1"HH Cap-SS	4		002608	002608	002608	002608
33	• Screw, #10-24 X.375 RHM-SI SS	2		001883	001883	001883	001883
34	• Screw, #6-32x.438Rhs1tp"1"Stlzi	2		001877	004644	004644	004644
35	• Sem, 10-24x.375HH-SI Tc.688Wash	2		002000	002000	002000	002000
36	• Washer, SS-1.25"Odx.562"idx.078	2		002115	002115	002115	002115
37	• Screw, .5-13 X 2 HH Cap-SS	2		001909	001909	001909	001909
38	• Screw, #6-32x.25RHM SI Tc Stlgr	5		001877	001877	001877	001877
39	• Screw, .25-20 X 1" HHM-SS	4		007790	007790	007790	007790
□	Rebuild Kit			002425	004747	019647	019647

• Items included in Rebuild Kit.

□ Not shown in illustration.

NOTES:

- 1) Mtr. Hsg., Brg., Stator & Term. (Item 17) is preassembled at the factory and must be replaced as a unit. Stator is permanently attached to the Motor Housing. Plug (Item 19); Seal, Thru Wall Term. (Item 20) and Bearing - Upper (Item 18) are replaceable.
- 2) When ordering these parts, customer must identify if switch is a General Electric switch.
- 3) If an "X" follows Model No., or Date Mfg. on brass ID tag, consult factory for ordering of this part.
- 4) See FM0160 Parts Price Sheet for listing of parts prices.
- 5) "NA" indicates, not applicable.
- 6) When ordering these parts, customer must identify General Electric or Emerson motor.

REPLACEMENT PARTS LIST FOR MODELS "E185"

See back page for "E185" illustration.

REF. NO.	DESCRIPTION	QTY	NOTES	MODELS: E185-A		
				E185-B	E185-C	
				2/85 NR thru 8/86 US	9/86 VS thru 7/09	8/09 thru Current
1	• Handle	1		217069	217069	217069
2	Cover & Cord	1	2	002401	002401	002401
3	Cord Term & Seal	1	2	002402	002402	002402
4	Clamp, Strain Relief	1	2	001770	001770	001770
5	• Seal, Cord-Asm & Strain Relief	1	2	094032	094032	094032
6	Cover-Mach	1	2	001077	001077	001077
7	• Gasket, Case/Cover	1		001011	001011	001011
8	• Wire Pkg (5) Wires	1		001070	004749	004749
9	Capacitor & Clamp Asm	1		002381	002381	002381
10	Housing, Mtr- & Str	1	1,5	002382	002382	019655
11	Bearing, Upper Sleeve	1		001012	001012	NA
	Bearing, Upper Ball			NA	NA	006703
12	• Plug, Test-White	2		034090	034090	034090
13	• Seal, Thru Wall Term	3		003402	003402	003402
14	Rotor & Brg	1	5	001074	001074	019650
15	• Bearing, Radial	1		001013	001013	010069
16	• Seal, Mtr Hsg	1		001014	001014	001014
17	Oil, Dielectric	1		002383	002383	011066
18	Adapter-Mach	1		001003	001003	001003
19	• Seal, Shaft	1		002430	002430	002430
20	Flange Pkg 2" Npt	1		10-1305	10-1305	10-1305
	Flange Pkg 3" Npt			10-1306	10-1306	10-1306
21	Impeller "185"	1		004199	004199	004199
22	Housing, Pump-Mach	1		004188	004188	004188
23	Strainer Plate	1		137008	137008	137008
24	• Screw, .25-20 X .75 HHM-SS	4		001916	001916	001916
25	• Screw, .313-18 X 1" HH Cap-SS	4		002608	002608	002608
26	• Screw, #10-24 X.375 RHM-SI SS	2		001883	001883	001883
27	• Sem, 10-24x.375HH-SI Tc.688Wash	2		002000	002000	002000
28	• Screw, 5-13 X 2 HH Cap-SS	2		001909	001909	001909
29	• Washer, SS-1.25"Odx.562"ldx.078	2		002115	002115	002115
30	• Screw, #6-32x.25RHM SI Tc Stlgr	4		001877	001877	001877
31	• Screw, .25-20 X 1" HHM-SS	4		007790	007790	007790
☐	Rebuild Kit "160/185/293"	1		002425	004747	019648

• Items included in Rebuild Kit.

☐ Not shown in illustration.

NOTES:

- 1) Mtr. Hsg., Brg., Stator & Term. (Item 10) is preassembled at the factory and must be replaced as a unit. Stator is permanently attached to the Motor Housing. Plug (Item 12); Seal, Thru Wall Term. (Item 13) and Bearing - Upper (Item 15) are replaceable.
- 2) If an "X" follows Model No., or Date Mfg. on brass ID tag, consult factory for ordering of this part.
- 3) See FM0160 Parts Price Sheet for listing of parts prices.
- 4) "NA" indicates, not applicable.
- 5) When ordering these parts, customer must identify General Electric or Emerson motor.

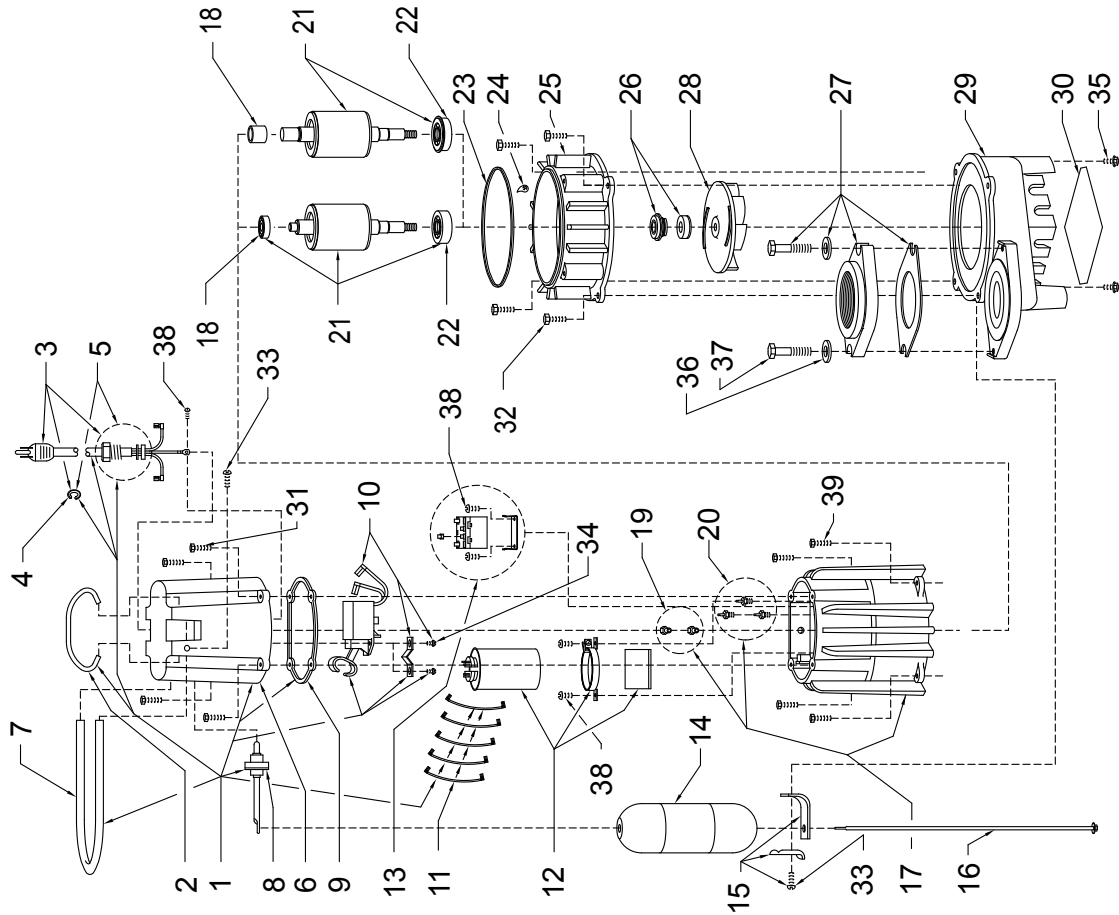


MAIL TO: P.O. BOX 16347 • Louisville, KY 40256-0347
 SHIP TO: 3649 Cane Run Road • Louisville, KY 40211-1961
 (502) 778-2731 • 1 (800) 928-PUMP • FAX (502) 774-3624

Visit our web site:
zoellerpumps.com

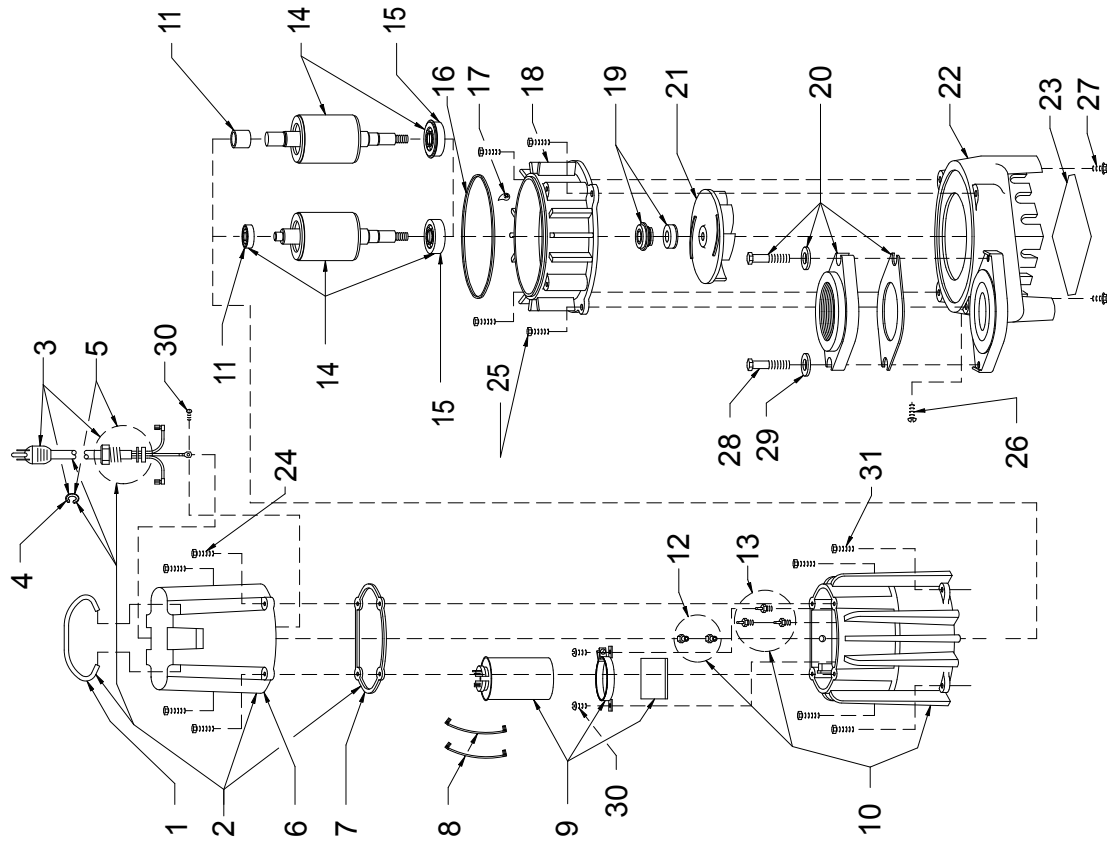
Trusted. Tested. Tough.™

REPLACEMENT PARTS ILLUSTRATION FOR MODEL "D185"



SK261

REPLACEMENT PARTS ILLUSTRATION FOR MODEL "E185"



SK914